



# KRYPTONYTE<sup>®</sup> CARBINE GREEN LASER

- Fits Picatinny rails, 3" or longer
- 3 position switch: off, on and momentary
- Includes remote switch, hardware and CR123 battery
- 5 milli-watts of laser power, class IIIa, 532nm
- Made from 6061 T6 Aluminum



K-15

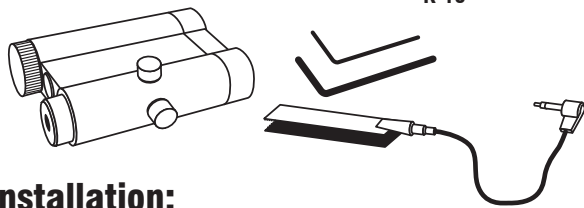


[www.LASERLYTE.com](http://www.LASERLYTE.com)



# KRYPTONYTE® GREEN CARBINE LASER

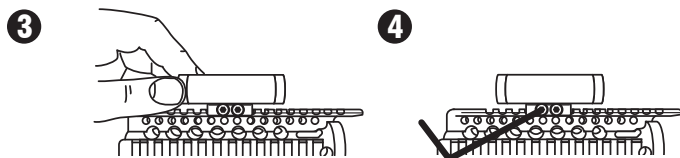
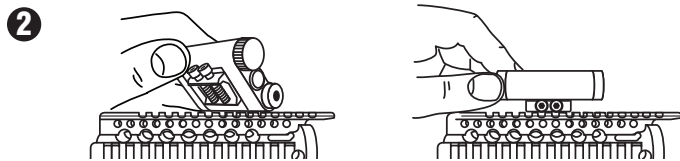
K-15



## Installation:

- 1 UNLOAD YOUR FIREARM!
- 2 Place the K-15 on the picatinny rail.
- 3 Align the clamp screws with the spaces in the rail.
- 4 Use the provided Allen wrench and tighten the clamp to the rail.
- 5 Mount the remote switch to the desired location with the provided Velcro® strip.

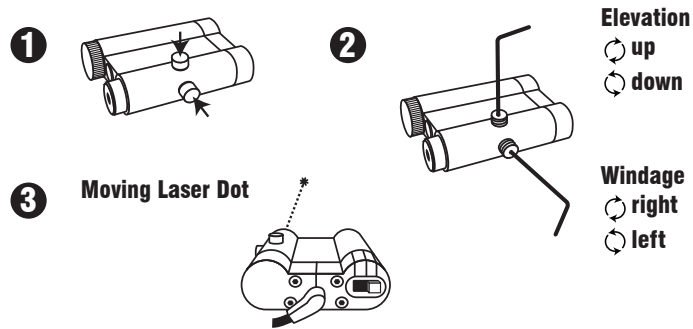
## 1 UNLOAD YOUR FIREARM!



- 5 Mount the remote switch to the desired location with the provided Velcro® strip.

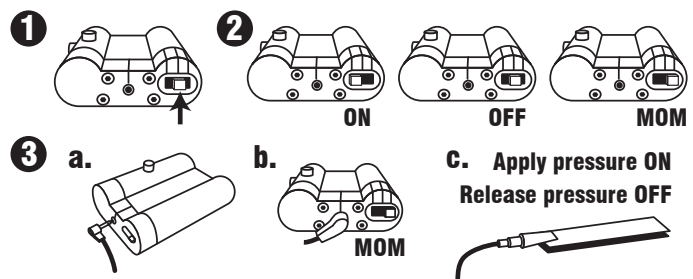
## Sighting In:

- 1 Locate the turret caps and remove them.
- 2 Using the provided Allen wrench adjust the laser until it corresponds with your sights.
- 3 Always end in a clock-wise motion. Re-install caps.
- 4 Make final adjustments at the range.



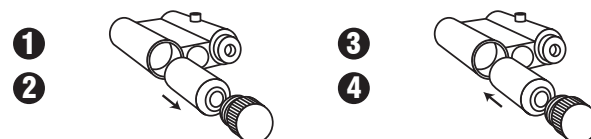
## Activation:

- 1 Locate the three position switch at back of the laser.
- 2 Left is constant on - center is off - right is momentary switch.
- 3 Momentary Switch:
  - a. Insert the plug connected to switch into the back of the laser.
  - b. Select the momentary switch setting.
  - c. Apply pressure to pad to turn laser on, release pressure on the pad to turn laser off.



## Battery Installation: (1) CR123

- 1 Locate the battery cap and unscrew from body.
- 2 Remove battery
- 3 Insert new battery
- 4 Screw in battery cap and tighten.



WARRANTY:  
One Year Limited  
Warranty.



LASERLYTE®  
30 N. Alamos Drive - Cottonwood, AZ 86326  
Phone 928-649-3201 - Fax 928-649-3970  
www.LaserLyte.com